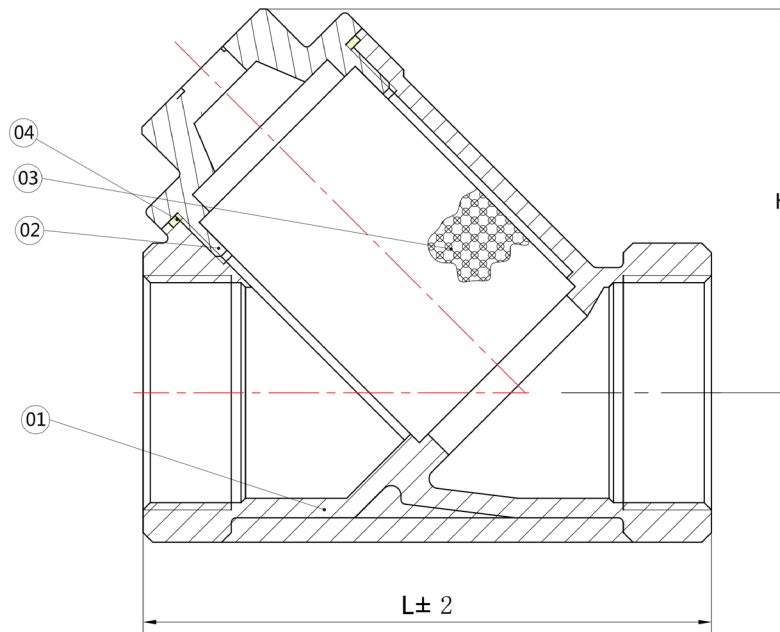




size	1/2"	3/4"	1"	1 1/4"	1 1/2"	2"	2 1/2"	3"	4"
L	58	74	85	100	120	127	170	195	240
H	38	48	57	62	67	79	105	131	159



No.	Parts name	Material	No.	Parts name	Material
1	Body	CF8M	4	SEAL	PTFE
2	End cap	CF8M	5		
3	Filter net	316	6		

general	valve type	Y type	standards	manufacture	ASME B 16.34	Valve specification sheet:			
	nominal size	1/4"~4"		pressure/temperature	ASME B 16.34				
	class	800PSI		face to face		shell test(water)3.7MPa			
	end type			Connection standard	BSP/BSPT/NPT	seat seal(water)2.7MPa	order No:	item:	date:2015/7/19
operator	Automatic	test and inspection	API 598	back seat(water) MPa	design:	approved:	page: 1 of 1		
test item			test item						