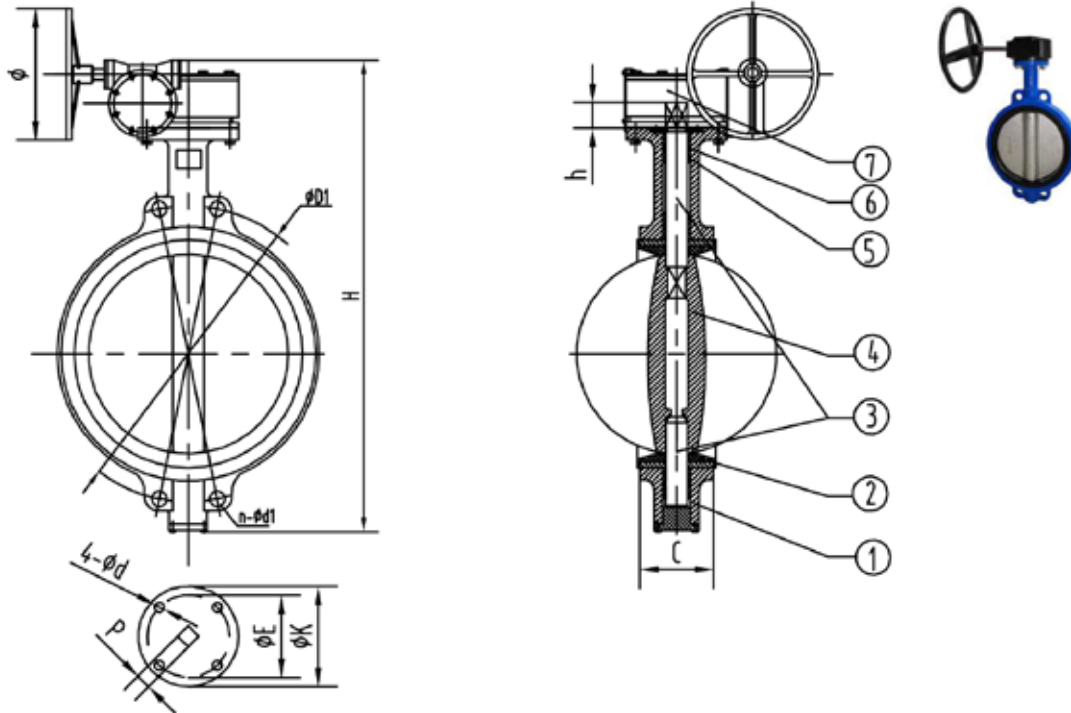




WAFER TYPE PINLESS BUTTERFLY VALVE

PN16 WAFER TYPE PINLESS BUTTERFLY VALVE
DATA SHEET REF : VBFW-CI-SSD-P16

NOMINAL PRESSURE	16	MPa
SHELL TEST PRESSURE	15	
SEAL TEST PRESSURE	11	



STANDARD MATERIALS OF MAIN PARTS

ITEM	PART NAME	MATERIAL
1	Body	DI
2	Seat	EPDM
3	Shaft	SS416
4	Disc	CF8M
5	Bushing	POLYMERS
6	O Ring	NBR
7	Gear Operator	

OPTIONAL EXTRA : NBR , VITON OR PTFE SEAT

DIMENSIONS

SIZE		C	H	φ	P	h	UPPER FLANGE			DIN PN10		DIN PN16		ANSI 150		TORQUE N.M
in	DN						K	E	4-d	D1	n-φd1	D1	n-φd1	D1	n-φd1	
16"	400	86.5	860	300	24	52	175	140	4-18	515	4(16)-27	525	4(16)-30	539.5	4(16)-29	1309
18"	450	105.6	900	300	27	52	175	140	4-18	565	4(20)-27	585	4(20)-30	578	4(16)-32	1787
20"	500	131.8	1020	300	32	64	175	140	4-18	620	4(20)-27	650	4(20)-33	635	4(20)-32	2288
24"	600	152	1210	380	36	70	210	165	4-23	725	4(20)-30	770	4(20)-36	749.5	4(20)-35	3711

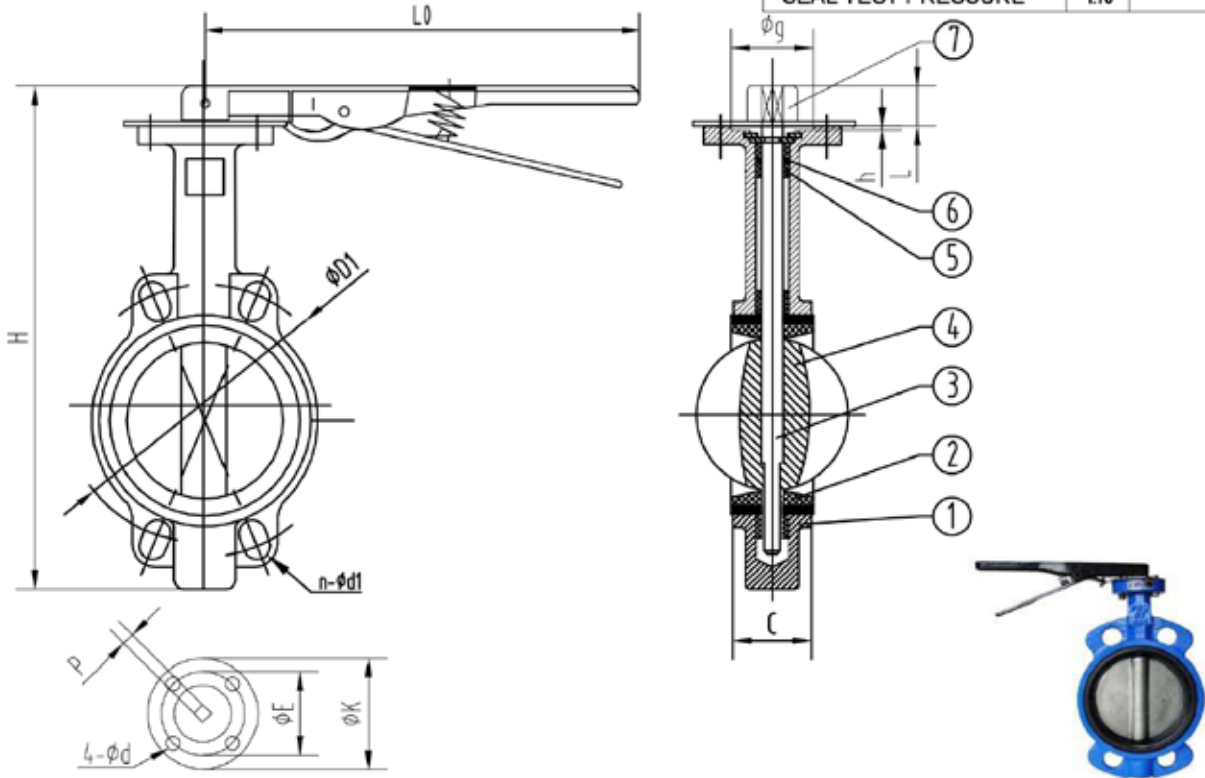
NOTE: 2" TO 10" LEVER OPERATED , 12" AND 24" GEAR OPERATED
ADDITIONAL GEAR BOXES AVAILABLE FOR ALL SIZES



WAFER TYPE PINLESS BUTTERFLY VALVE

PN16 WAFER TYPE PINLESS BUTTERFLY VALVE
DATA SHEET REF : VBFW-CI-SSD-P16

NOMINAL PRESSURE	16	MPa
SHELL TEST PRESSURE	24	
SEAL TEST PRESSURE	176	



STANDARD MATERIALS OF MAIN PARTS

ITEM	PART NAME	MATERIAL
1	Body	DI
2	Seat	EPDM
3	Shaft	Stainless Steel 416
4	Disc	CF8M
5	Bushing	PTFE
6	O Ring	NBR
7	Handle	

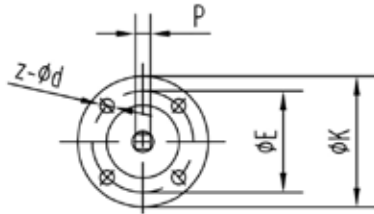
DIMENSIONS

SIZE		H	C	L0	P	L	UPPER FLANGE					DIN PN10/16		ANSI 150		TORQUE N.M
in	DN						K	E	4-d	g	h	D1	n-d1	D1	n-d1	
2	50	245	42	220	9	30	90	70	4-9	55	3	125	4-18	120.7	4-19	24.2
2-1/2	65	270	44.7	220	9	30	90	70	4-9	55	3	145	4-18	140	4-19	32.7
3	80	280	45.2	220	9	30	90	70	4-9	55	3	160	4/8-18	152.5	4-19	43.7
4	100	320	52.1	260	11	30	90	70	4-9	55	3	180	4(8)-18	190.5	4(8)-19	72.8
5	125	350	54.4	260	14	30	90	70	4-9	55	3	210	4(8)-18	216	4(8)-22	108
6	150	375	55.8	260	14	30	90	70	4-9	55	3	240	4(8)-23	241.5	4(8)-22	174

NOTE: 2" TO 10" LEVER OPERATED , 12" AND 24 " GEAR OPERATED
ADDITIONAL GEAR BOXES AVAILABLE FOR ALL SIZES

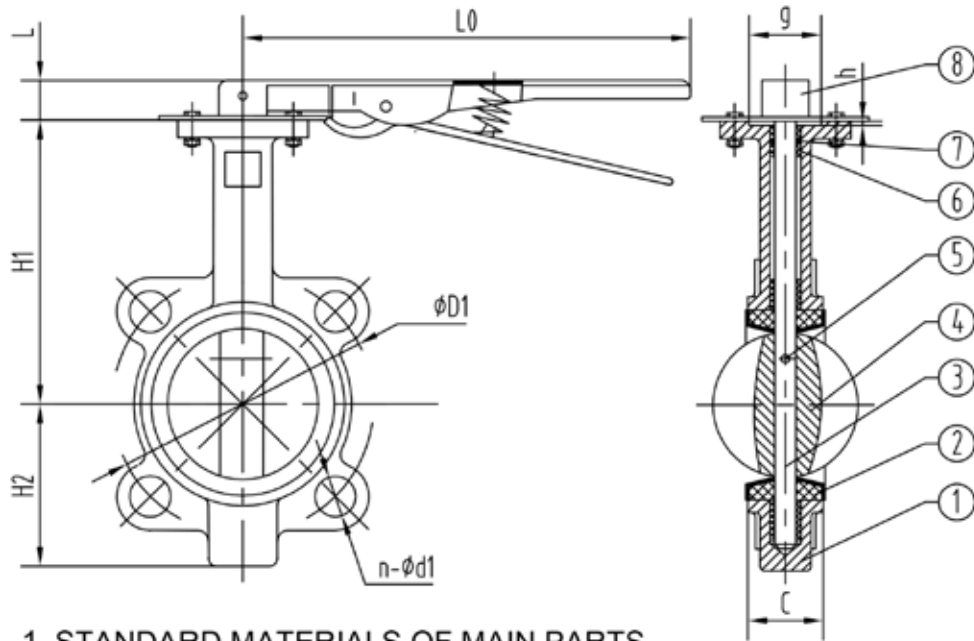


WAFER TYPE PINLESS BUTTERFLY VALVE



Nominal Pressure	2.5		Mpa
Testing Pressure	Shell	3.75	
	Sealing	2.75	

Wafer Type Butterfly Valve(Pinned)
Data sheet Ref: VBFW-DI-SSD-P25



1. STANDARD MATERIALS OF MAIN PARTS

ITEM	PART NAME	MATERIAL
1	Body	DI
2	Seat	EPDM
3	Shaft	SS420
4	Disc	CF8
5	Pin	SS304
6	Bushing	POLYMERS
7	O Ring	NBR
8	Handle	



2. DIMENSIONS: (mm)

SIZE	in	DN	H1	H2	C	L	P	UPPER FLANGE					PN16		PN10		PN25	
								K	E	z-d	g	h	D1	n-d1	D1	n-d1	D1	n-d1
2		50	124	80	42	32	11	90	70	4-10	55	3	125	4-18	125	4-18	125	4-19
2.5		65	138	89	44.7	32	11	90	70	4-10	55	3	145	4-18	145	4-18	145	4(8)-19
3		80	141	95	45.2	32	9	90	70	4-10	55	3	160	4(8)-18	160	8-18	160	4(8)-19
4		100	156	114	52.1	32	11	90	70	4-10	55	3	180	4(8)-18	180	4(8)-18	190	4(8)-23
5		125	175	127	54.4	32	14	90	70	4-10	55	3	210	4(8)-18	210	4(8)-18	220	4(8)-27
6		150	184	140	55.8	32	14	90	70	4-10	55	3	240	4(8)-23	240	4(8)-23	250	4(8)-27
8		200	215	175	60.6	45	17	125	102	4-12	70	3	295	4(12)-23	295	4(8)-23	310	4(12)-27
10		250	247	203	65.6	45	22	125	102	4-12	70	3	355	4(12)-27	350	4(12)-23	370	4(12)-30
12		300	290	242	76.9	45	22	125	102	4-12	70	3	410	4(12)-27	400	4(12)-23	430	4(16)-30

227 Brakpan Road Boksburg East Industrial, Gauteng, 4159

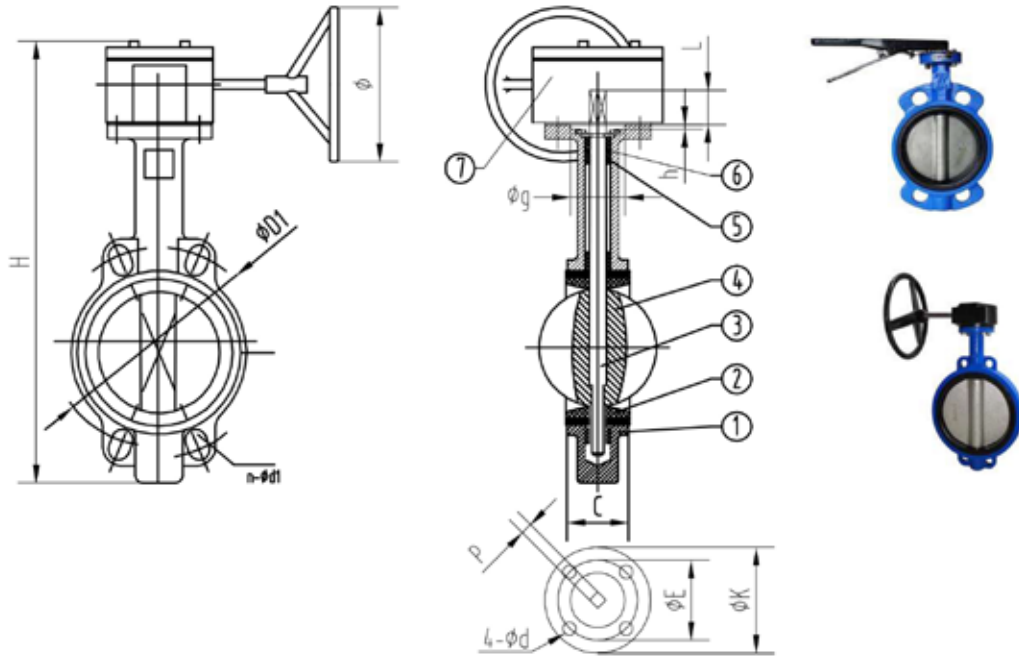
T: 011 913 8046 / 086 556 2406 C: 084 404 5967



WAFER TYPE PINLESS BUTTERFLY VALVE

PN16 WAFER TYPE PINLESS BUTTERFLY VALVE
DATA SHEET REF : VBFW-CI-SSD-P16

NOMINAL PRESSURE	16	MPa
SHELL TEST PRESSURE	24	
SEAL TEST PRESSURE	176	



STANDARD MATERIALS OF MAIN PARTS

ITEM	PART NAME	MATERIAL
1	Body	DI
2	Seat	EPDM
3	Shaft	Stainless Steel 416
4	Disc	CF8M
5	Bushing	PTFE
6	O Ring	NBR
7	GEAR	

OPTIONAL EXTRA : NBR , VITON OR PTFE SEAT

DIMENSIONS

SIZE		H	φ	C	P	L	UPPER FLANGE				DIN PN10/16		ANSI 150		TORQUE N.M	
in	DN						K	E	4-d	g	h	D1	n-d1	D1		n-d1
8	200	505	280	60.6	17	40	125	102	4-12	70	3.5	295	4(8/12)-23	298.5	4(8)-22	330
10	250	560	280	65.6	22	40	125	102	4-12	70	3.5	350/355	4(12)-23/27	362	4(12)-25	549
12	300	640	280	76.9	22	40	125	102	4-12	70	3.5	400/410	4(12)-23/27	432	4(12)-25	799
14	350	720	280	76.5	22	45	125	102	4-12	70	3.5	460/470	4(16)-23/27	476	4(12)-29	969

NOTE: 2" TO 10" LEVER OPERATED , 12" AND 24" GEAR OPERATED
ADDITIONAL GEAR BOXES AVAILABLE FOR ALL SIZES